

**ecofire**



**Braai's & Combo Braais Catalogue**

## Ecofire

1. Introduction

## Wood

2 - 5. Pyro Wood Black and Stainless

6 - 9. Ecofire Wedgetail BBQ Braai

## Gas

10 - 13. Three One Six Insert Table Top

14 - 17. Three One Six Drop in

## Combo

18 - 21. Pyro Wood Gas Combo Black

22 - 25. Ecofire Mobi Braai (Wood or Gas)



### INTRODUCING ECOFIRE

The success of Ecofire South Africa is based on high-end production of top quality products, cutting-edge research and development, and a constant collaboration with our customers. **Satisfaction** of our customers is our main goal and we work every day to establish quality and long-term relationships with our customers, whose trust we gain with the consistent quality of our products and attention to detail with installation.

All braais are South African manufactured and after sales care is quick and efficient. All gas units have a safety valve that turns gas off should the flame blow out. Ecofire has an exciting concept store in Fourways, Johannesburg where you can view a variety of our extensive and unique products.





## Pyro Wood Black and Stainless

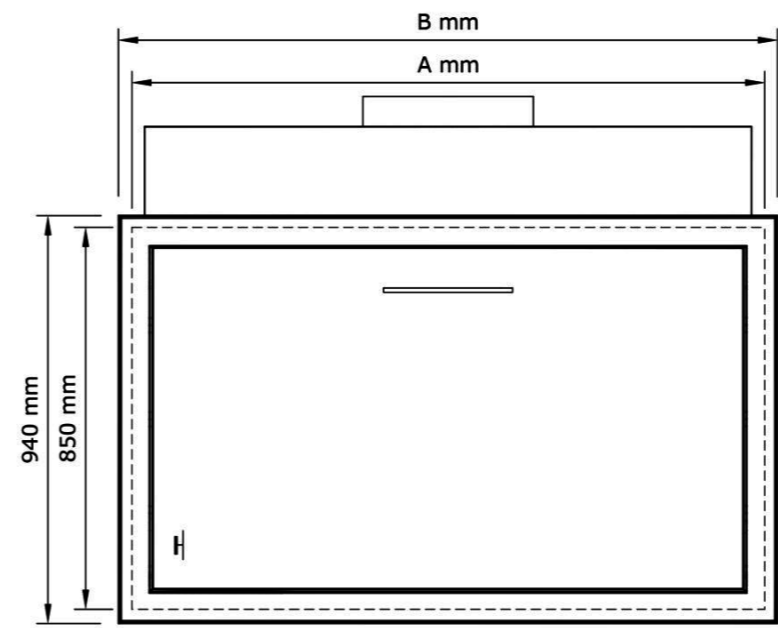
Unlimited cooking options with our dual fuel braai collection. Whether you are masterminding a whole new dream entertainment area or its a case of out with the old and in with the new, finding the perfect braai has never been this easy.

Our wood braais are a fusion of style, technology and functionality. Entertain for hours on end with the extra large heavy duty Embermaker. The flat basket lazy braai spit grid is now a standard accessory with the Pyro Braai.

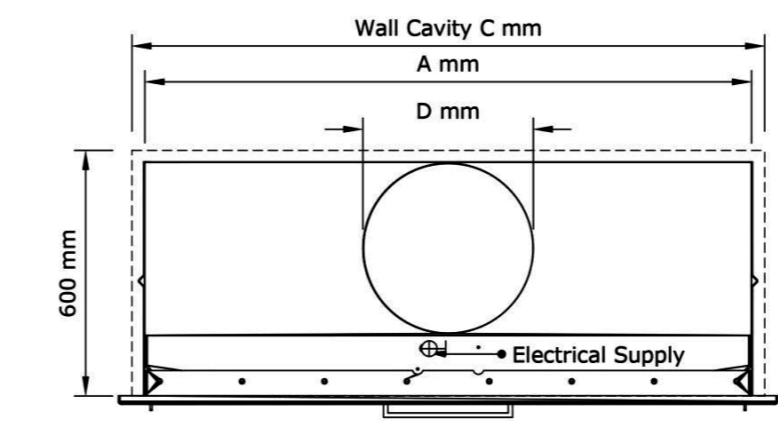
- Custom Built to spec
- Quick installations save on building costs and time
- 3 different steel options for inland and coastal areas
- Potjie hook for more cooking versatility
- Slide-in door system for maximum utilization of working space
- Easy access cleaning system
- Bright light for night time cooking
- Easy fit cantilevered multiple grids • Spit grid rotisserie included
- Extra Large 250mm Firebox/Embermaker

## Black and Stainless Cassing

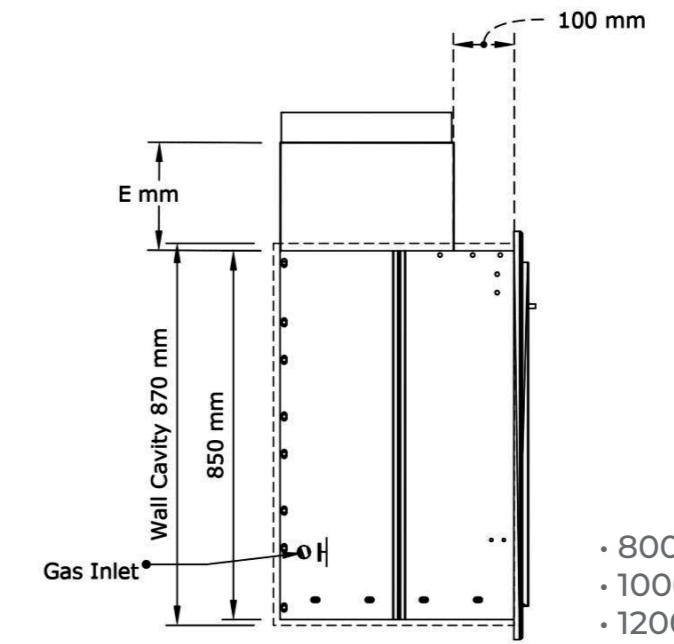




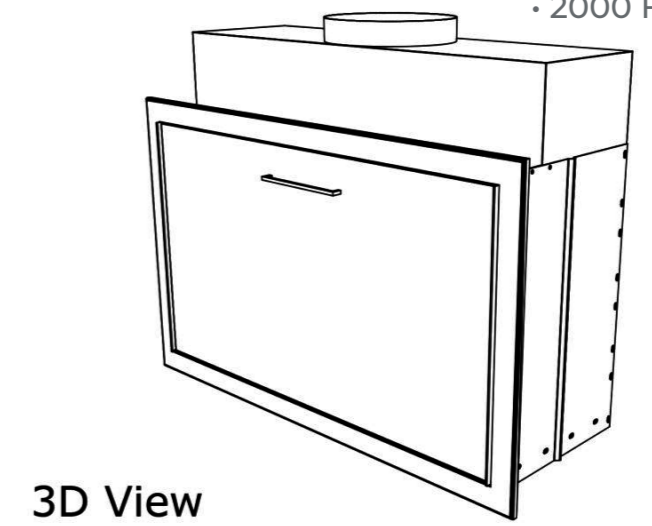
Front View



Top View



Side View



3D View

A	B	C	D	E
850	920	870	350 Ø	250
1030	1120	1070	350 Ø	250
1230	1320	1270	350 Ø	250
1430	1520	1470	450 Ø	250
1630	1720	1670	450 Ø	400
1850	1940	1970	350x650	400
2050	2140	2170	350x650	400

⊕ Electrical supply by specialist to top of unit for light fitting

H Gas supply line by specialist to left hand side or back left hand side of unit

**Specs**

- 800 Full wood with Pyro wood insert
- 1000 Full wood with Pyro wood insert
- 1200 Full wood with Pyro wood insert
- 1400 Full wood with Pyro wood insert
- 1600 Full wood with Pyro wood insert
- 1800 Full wood with Pyro wood insert
- 2000 Full wood with Pyro wood insert



## Ecofire Wedgetail Wood BBQ Braai

Our outdoor barbecue cooker, draws its inspiration from the Wedge-tail Eagle, tough and durable, built for the Australian climate, made from stainless steel and coated in an additional black weatherproof coating in honour of its name sake.

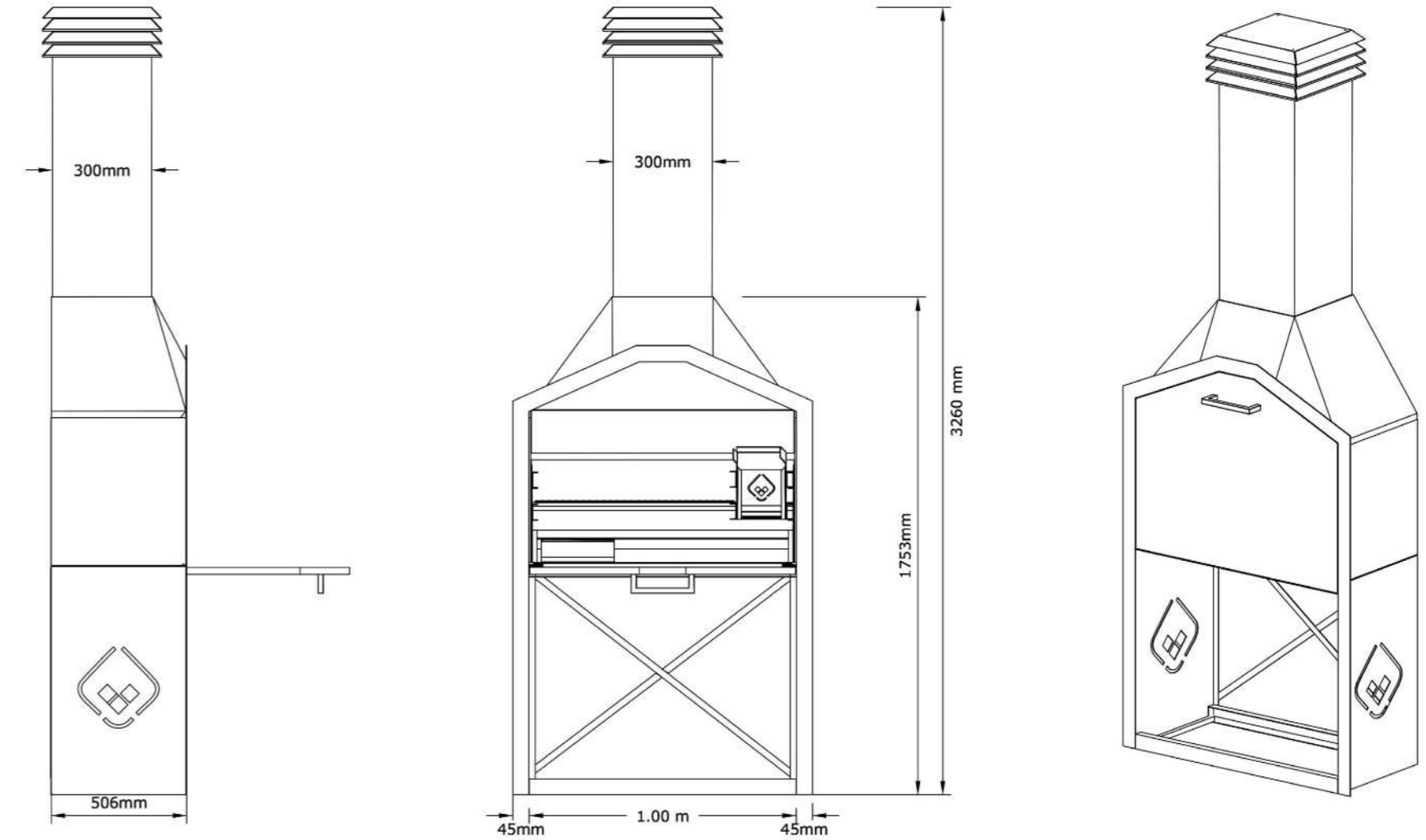
With all the very latest in cooking attachments to make your outdoor barbecue come alive with recipes you've always wanted to master.

Indoor or outdoor, the 430 Grade stainless steel will be your go-to material. Not only does it have strong corrosion resistance capabilities but its perfect for Indoor or undercover use at the coast and ideal for both indoor and outdoor use 20km's from the coast.

### Freestanding braai includes:

- Firestarter/Embermaker
- Grid
- Ash drawer
- Ashpan
- Door
- 1.2m flue
- Turbo Cowl







## Three One Six Insert Table Top

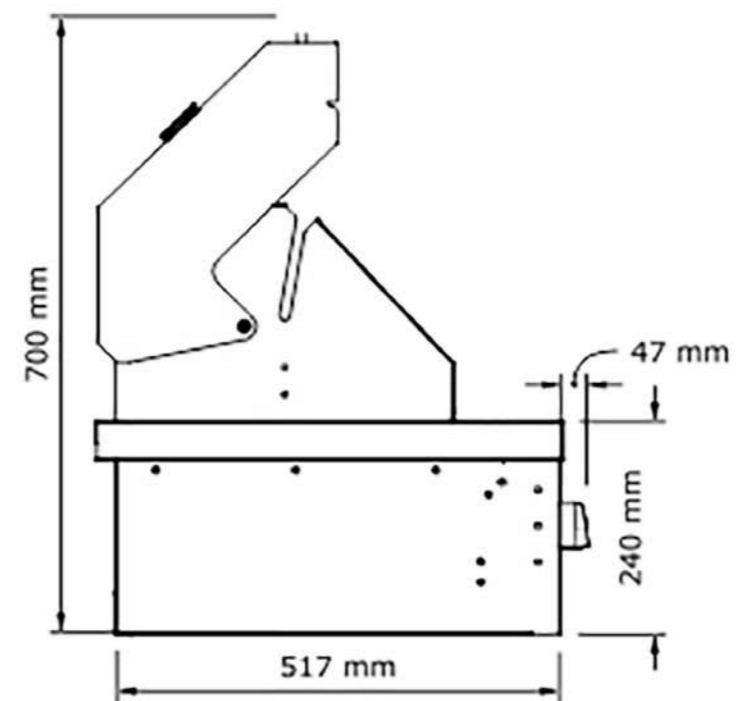
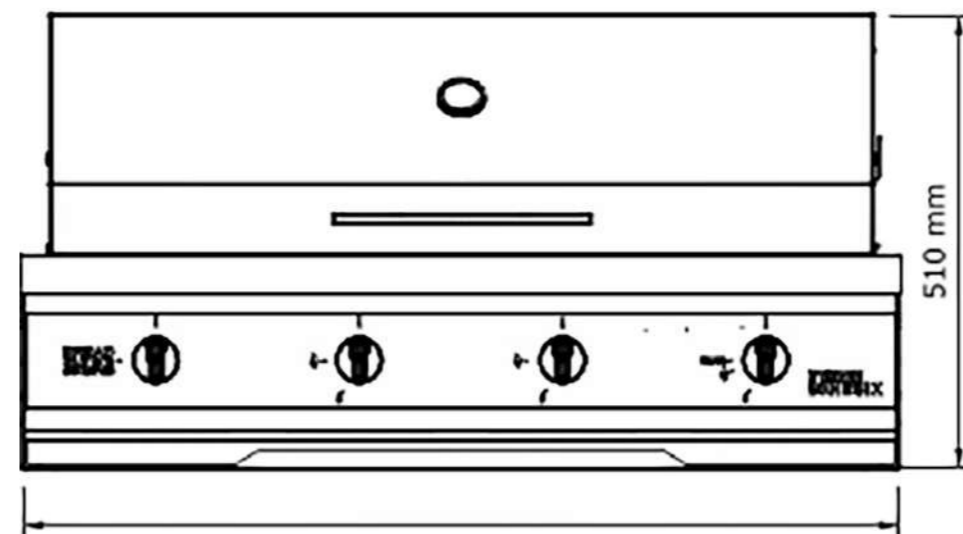
From 590mm models for people with limited available space to 1370mm models with a Cooking Dome and optional Rotisserie for the ultimate entertainer. The BBQ grills are guaranteed to fit into any Indoor or outdoor setting. Available in stainless steel or black high heat coating these units are manufactured from marine grade 316 Stainless Steel and high heat withstanding 304 Stainless Steel.

Our range of 316 s/steel multi-burner arrow and cast s/steel gas grills bring cooking to life state-of-the-art technology that delivers highly responsive temperature control, superb cooking results and maximum efficiency all-round

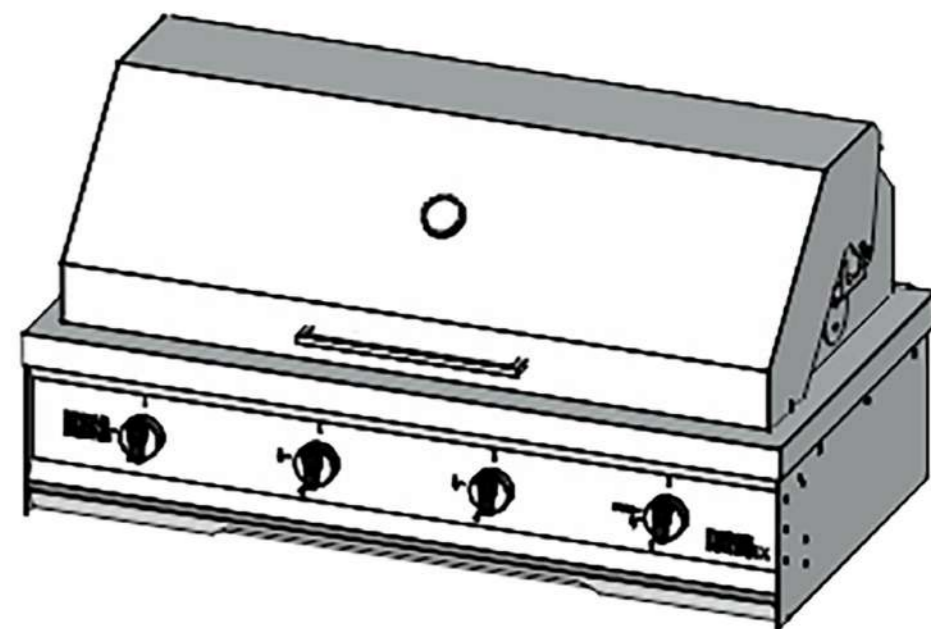
### Specs

- 30,000 BTU arrow burners
- x1 cast s/steel burner included
- Dual spark solid brass flame thrower Ignition
- Cast iron braai grid
- Full width slide-out drip tray
- S/steel or black & s/steel options
- Optional commercial quality rotisserie kit
- Optional cooking dome





A	B(Cutout)
1150	1130
950	930
770	750
550	530





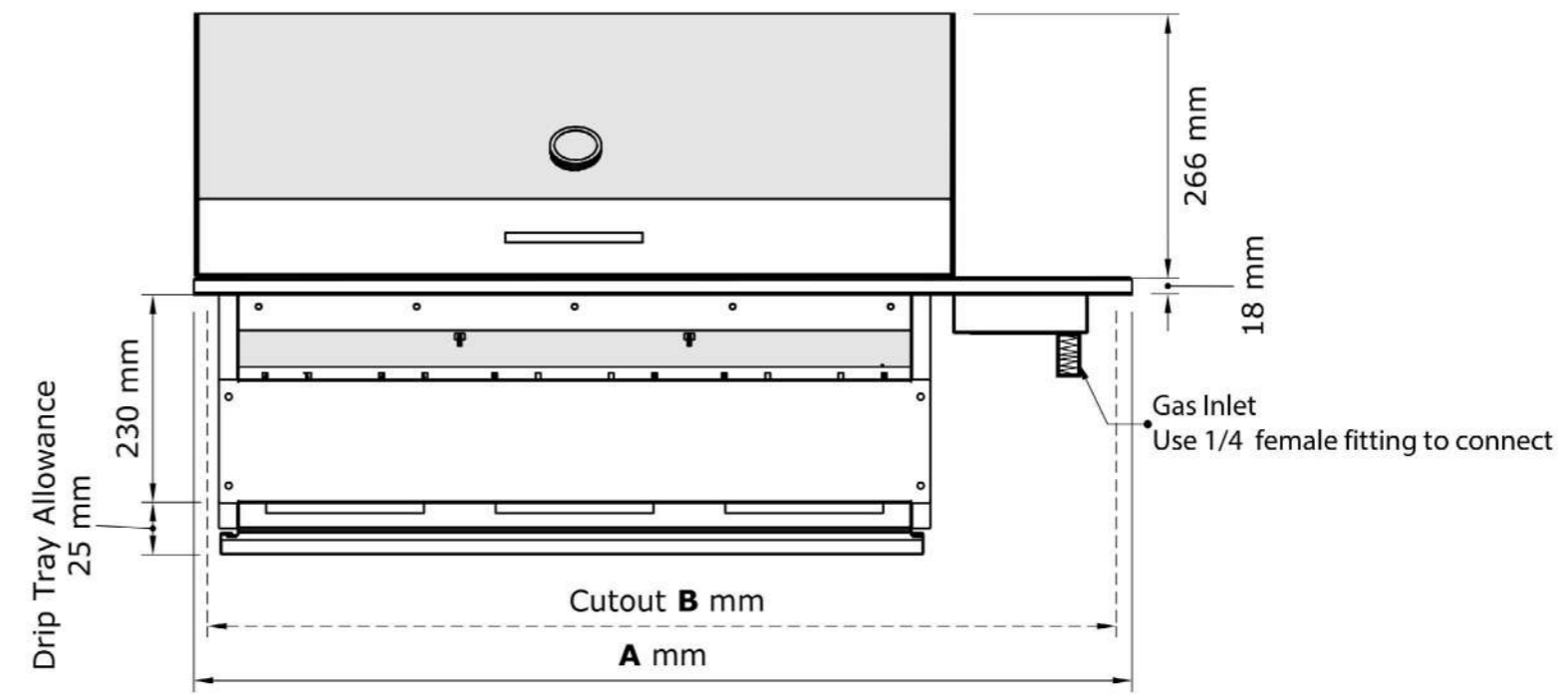
## Three One Six Drop in

Thanks to perfectly configured cast stainless steel burners along with flamethrower ignition and highly responsive temperature control. Our drop-in gas grillers provide all the flexibility and cooking space needed when juggling various meats at once. All models are available in full stainless steel or black stainless upgrade.

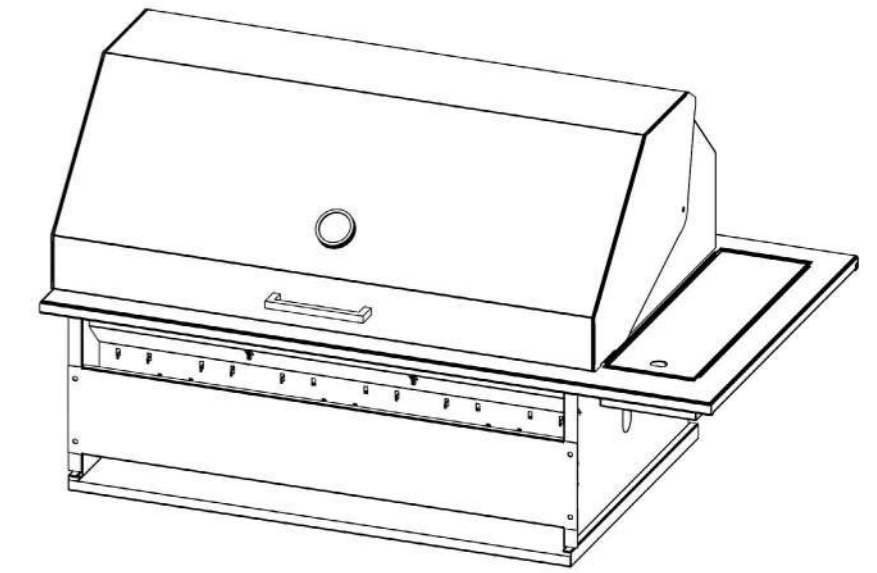
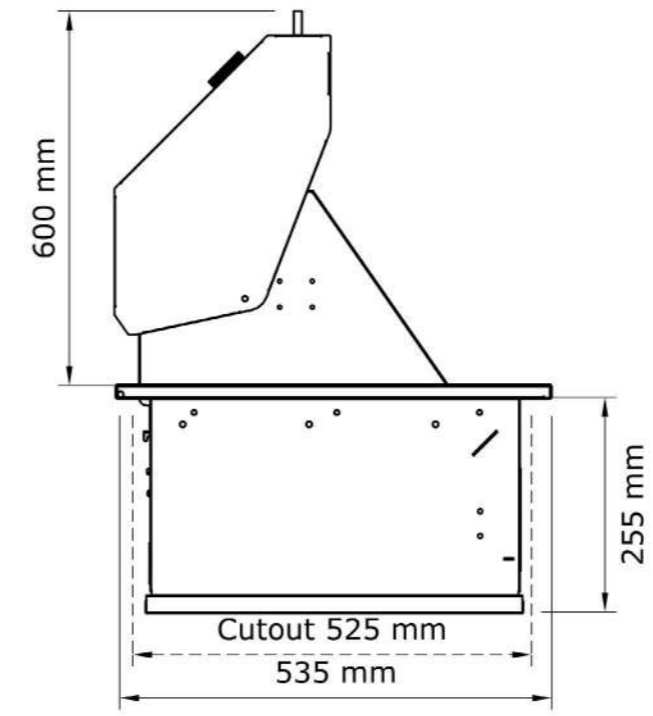
### Specs

- 30 000 BTU cast stainless steel burners with 5 years Guarantee
- Dual spark solid brass flame thrower ignition
- Cast iron braai grids
- Full-width slide out drip tray
- Fat trap for easier cleaning
- Optional Commercial quality rotisserie kit
- Hood mounted thermometer on the optional cooking dome





A	B(Cutout)
1150	1130
950	930
770	750
550	530





## Pyro Wood Gas Combo Black

Unlimited cooking options with our dual fuel braai collection.

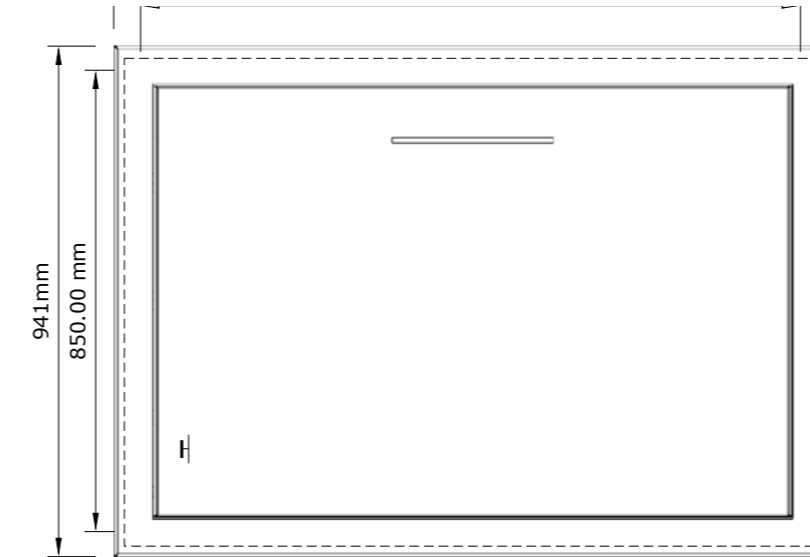
Whether you are masterminding a whole new dream entertainment area or its a case of out with the old and in with the new. Finding the perfect braai has never been this easy. Our dual fuel braais is a fusion of style, technology and functionality. Choose the ratio between wood and gas. Also available in single fuel full gas for full wood.

### Specs

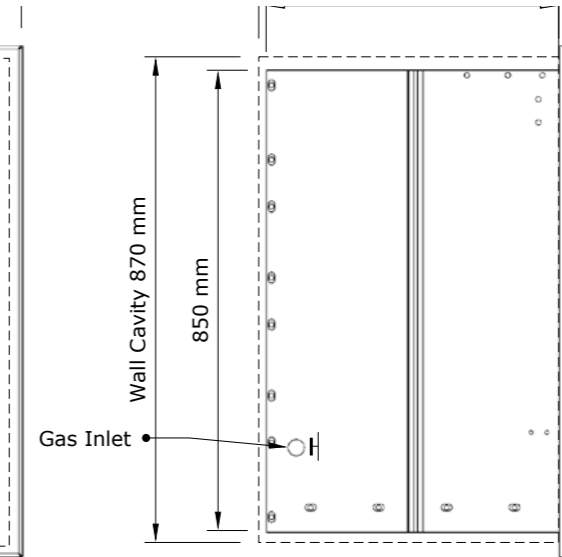
- Custom Built to spec
- Quick installations save on building costs and time
- 3 different steel options for inland and coastal areas
- Potjie hook for more cooking versatility
- Slide indoor system for maximum utilization of working space
- Easy access cleaning system
- Bright light for night time cooking
- Easy fit cantilevered multiple grids
- Optional Pizza Dome and rotisserie

### Black Cassing

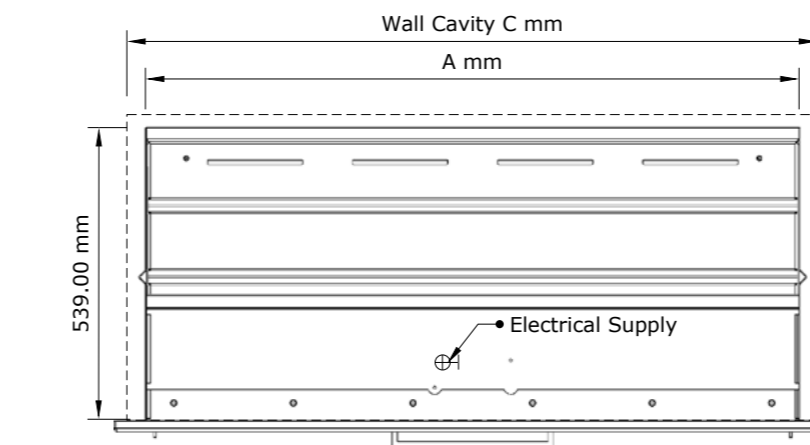




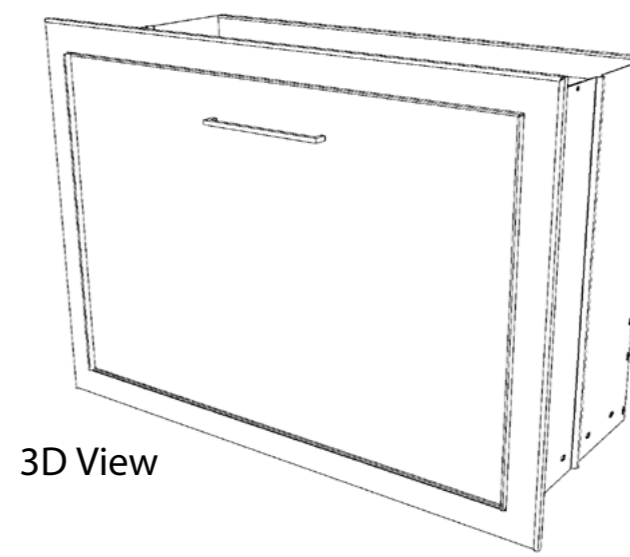
Front View



Side View



Top View



3D View

	A	B	C
--	---	---	---

**Model**

1200	1230	1320	1270
1400	1430	1520	1470
1600	1630	1720	1670
1800	1830	1920	1870
2000	2030	2120	2070

⊕ Electrical supply by specialist to top of unit for light fitting

H Gas supply line by specialist to left hand side or back left hand side of unit

**Specs**

- 1200 Combo 390 Gas / 750 Wood
- 1400 Combo 590 Gas / 750 Wood
- 1600 Combo 590 Gas / 950 Wood
- 1800 Combo 770 Gas / 950 Wood
- 2000 Combo 970 Gas / 950 Wood



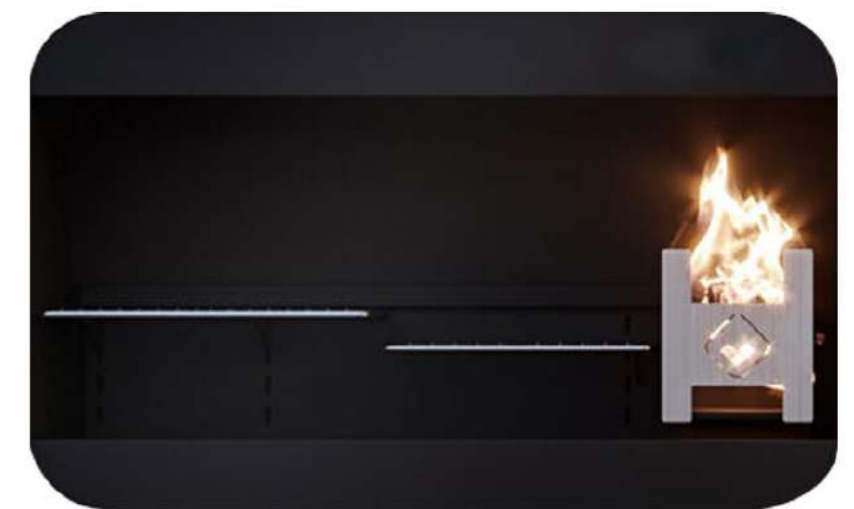
## Ecofire Modi Braai (Wood or Gas)

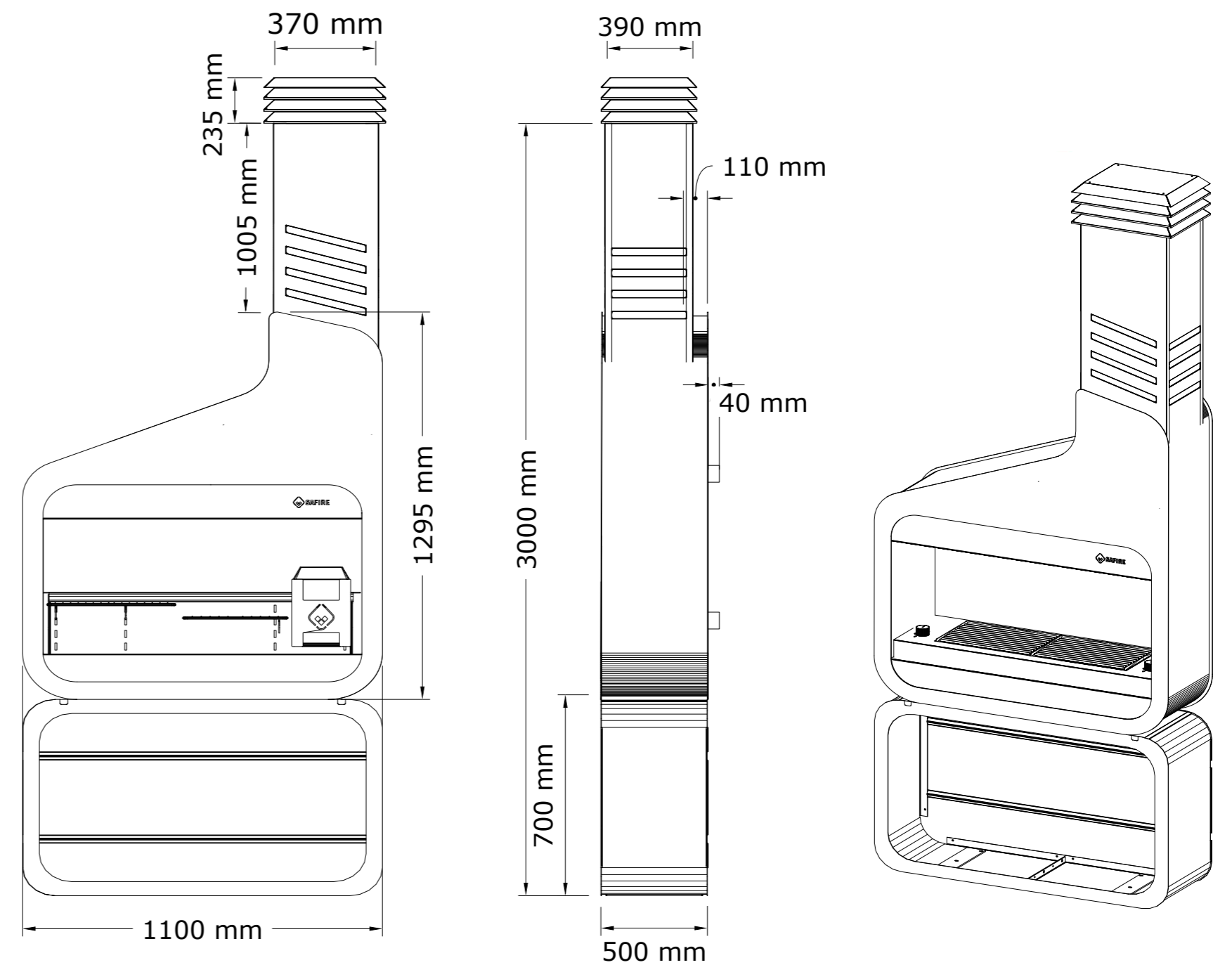
The Ecofire Modi Braai is a modern and versatile braai that is easy to assemble, wall mount and add to your entertainment area. Just buy, install and braai, it is as simple as that!

The Modi can be wall mounted with or without the 'optimal extra stand'. Alternatively, it can be installed as a freestanding braai mounted on top of a level slab or countertop, or it can be fitted snugly on top of the special Modi Log Box Stand (sold as an optional extra). Its sophisticated design suites a variety of interiors.

The unit is manufactured out of 304-grade stainless steel and its design includes a "smart door" that doubles up as an extra work surface. There is a cantilevered-split, stainless steel grill system with two 40 x 30cm braai grids; an ember maker, a potjie hook, wall brackets and a light fitting.

The Modi Braai can be ordered with an 'optional extra' Modi Log Box Stand for use as wood storage and extra counter space. It can be ordered with an 'optional extra' Cooking Accessories Set consisting of a Pizza dome, a steak pan and a skewer set. There is also an optional extra Electric Spit Braai Rotisserie Set.







**Telephone:** 010 500 1624 || **Email:** Shop@ecofire.co.za  
**CONCEPT STORE:** APRIL 2022 Shop 2 Fourways Value Mart, Forest Drive, Pineslopes,  
Johannesburg, South Africa